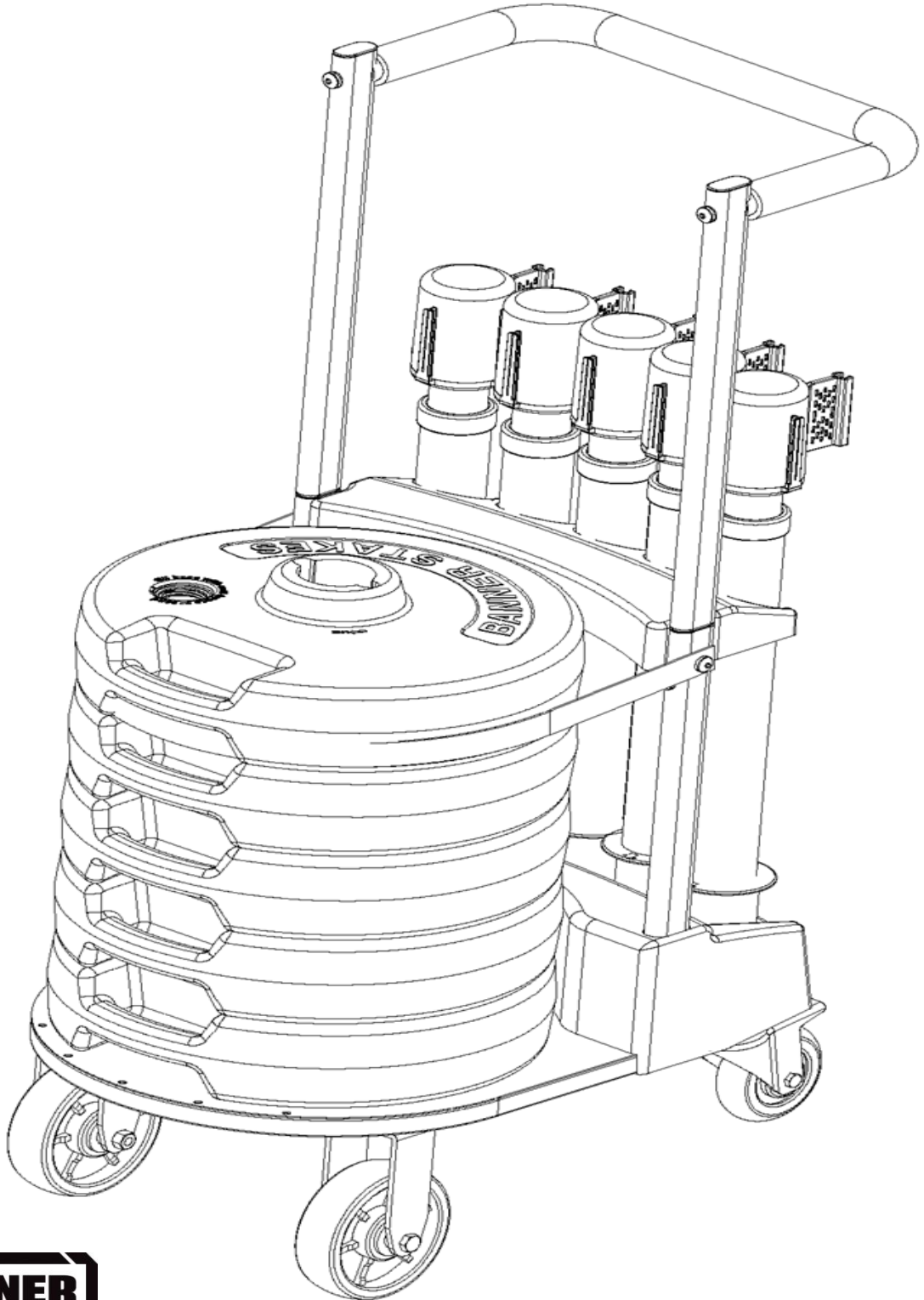


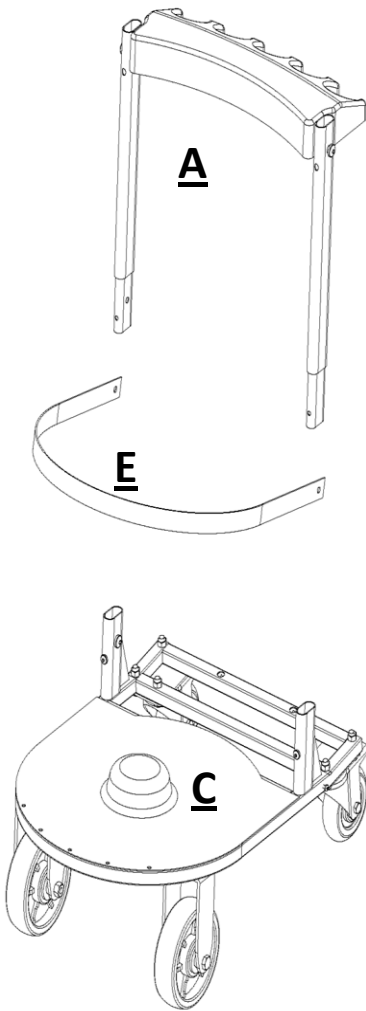
Banner Stakes PLUS Line Cart Assembly Instructions



BANNERSTAKES.COM

Customer Service Questions Please Call – (855) 809-3800

Cart Components



A = Bottom Vertical Support

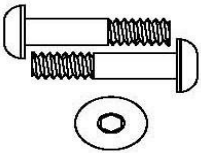
B = Bottom Stake Holder
(Black Plastic Tray)

C = Cart Base with Wheels

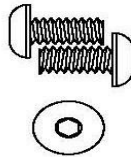
D = Top Vertical Support
(Handle)

E = Nylon Velcro Strap

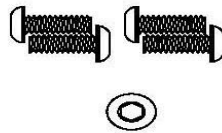
Hardware



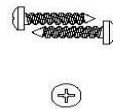
PART NO. F
M8*35 2PCS



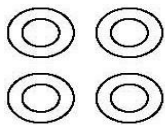
PART NO. G
M8*16 2PCS



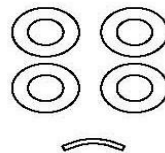
PART NO. H
M6*16 4PCS



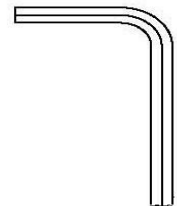
PART NO. I
ST4.2*16 2PCS



PART NO. K
Φ 16* Φ 8.5*t1.5
FLAT WASHER



PART NO. L
Φ 16* Φ 8.5*t1.5
CURVED WASHER

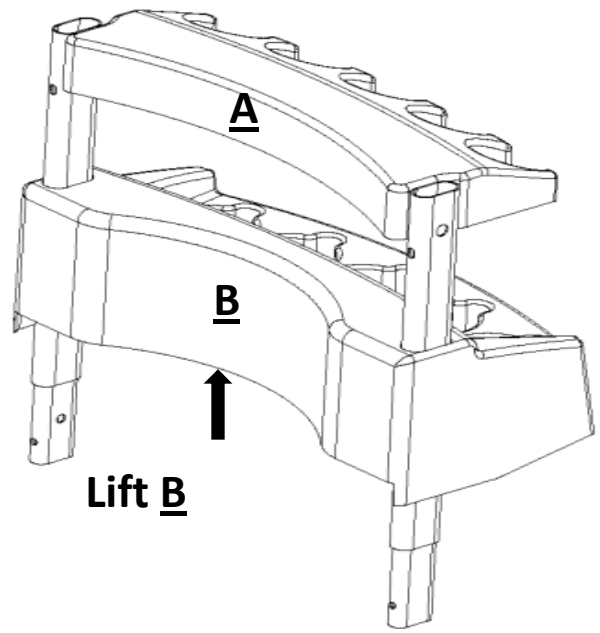
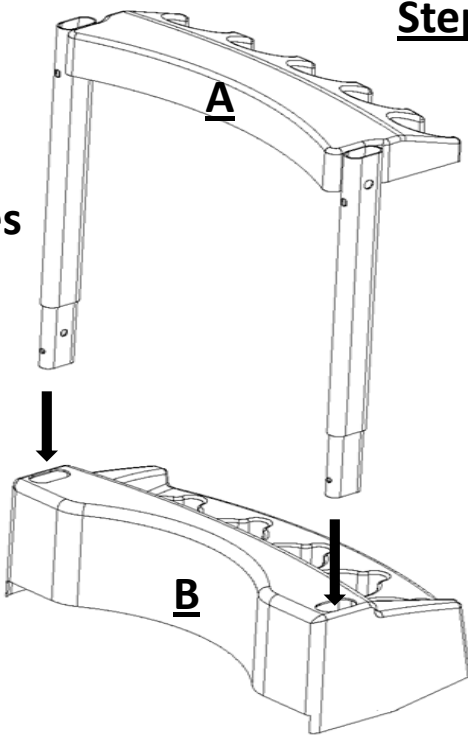


L wrench

You will need a Philips Screw Driver to complete assembly

Step # 1

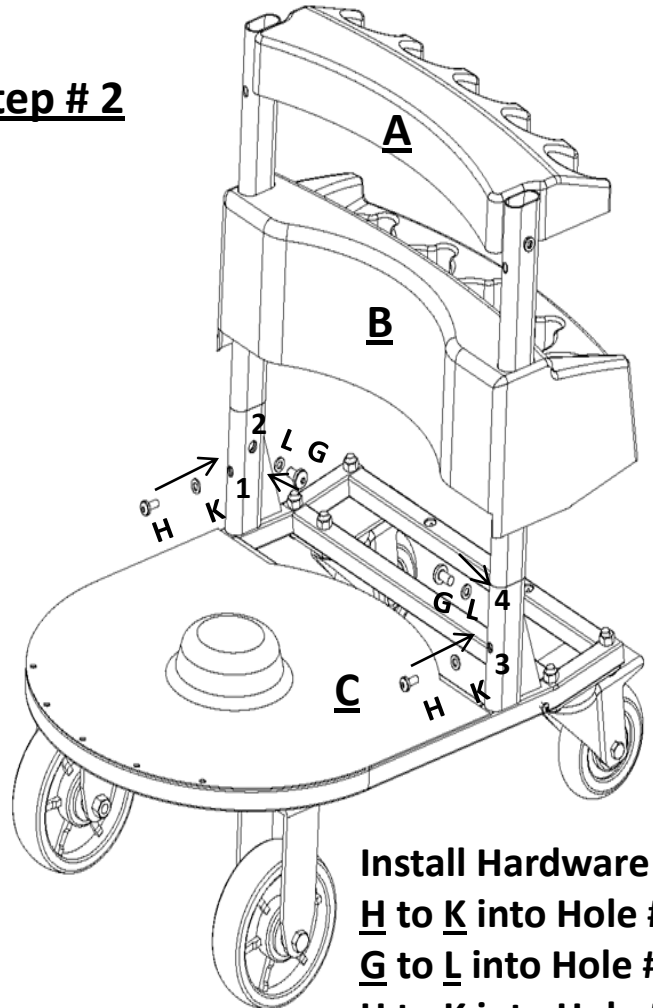
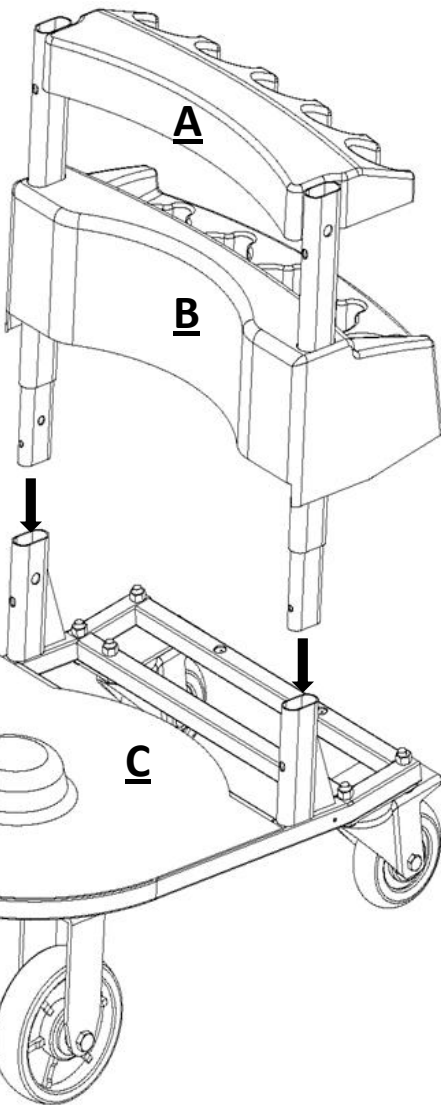
Insert A
into Holes
in B



Lift B

Step # 2

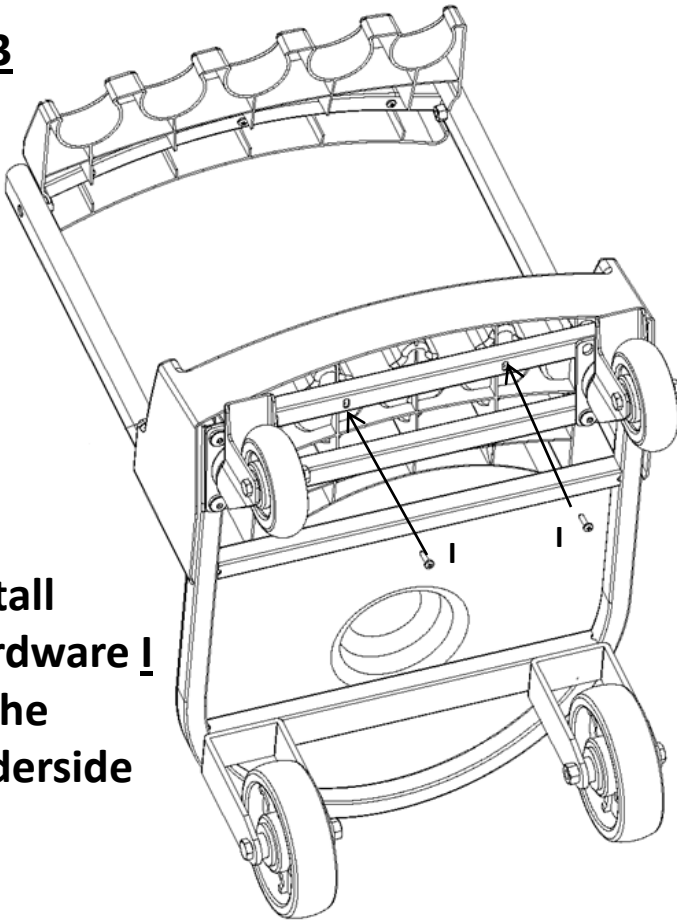
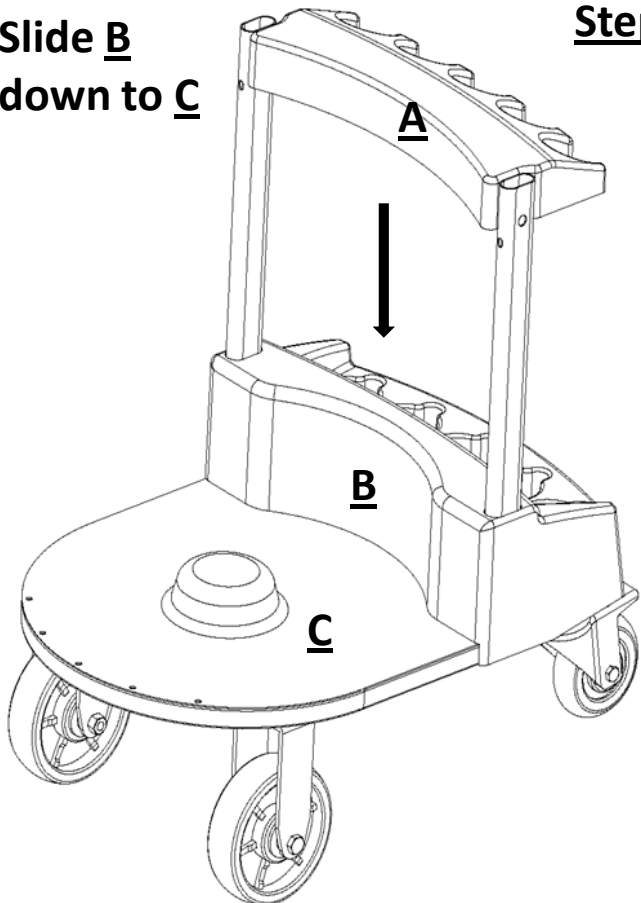
Insert A
into C



Install Hardware
H to K into Hole #1
G to L into Hole #2
H to K into Hole #3
G to L into Hole #4

Slide B
down to C

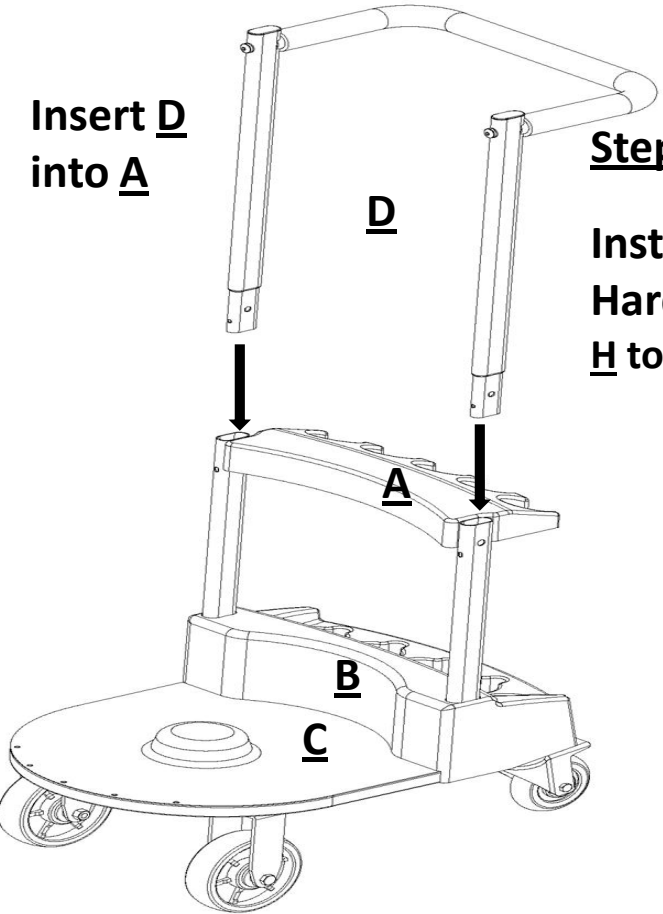
Step # 3



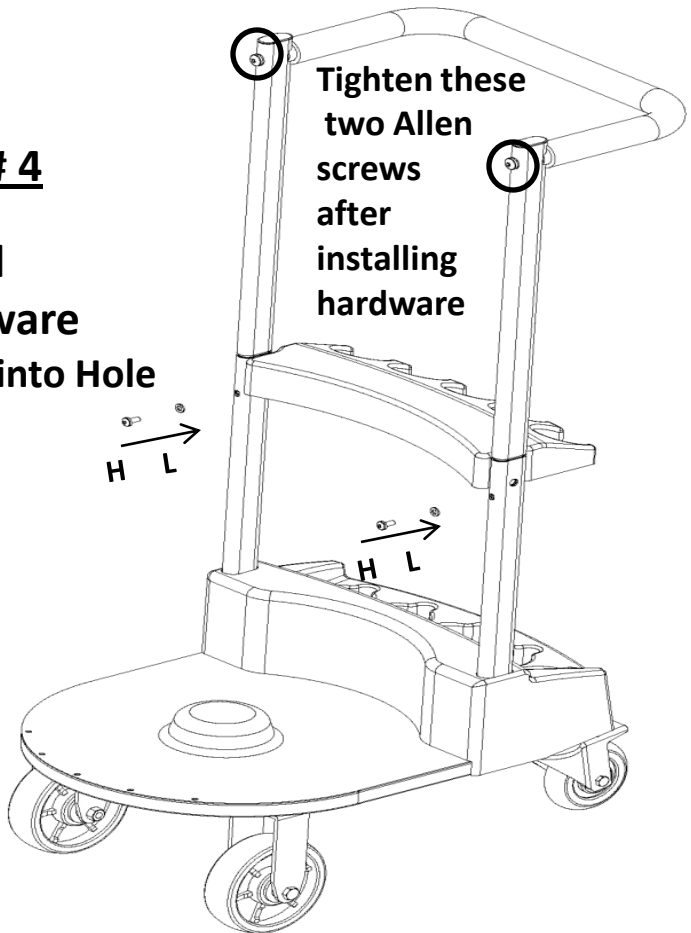
Install
Hardware I
in the
underside

Insert D
into A

Step # 4



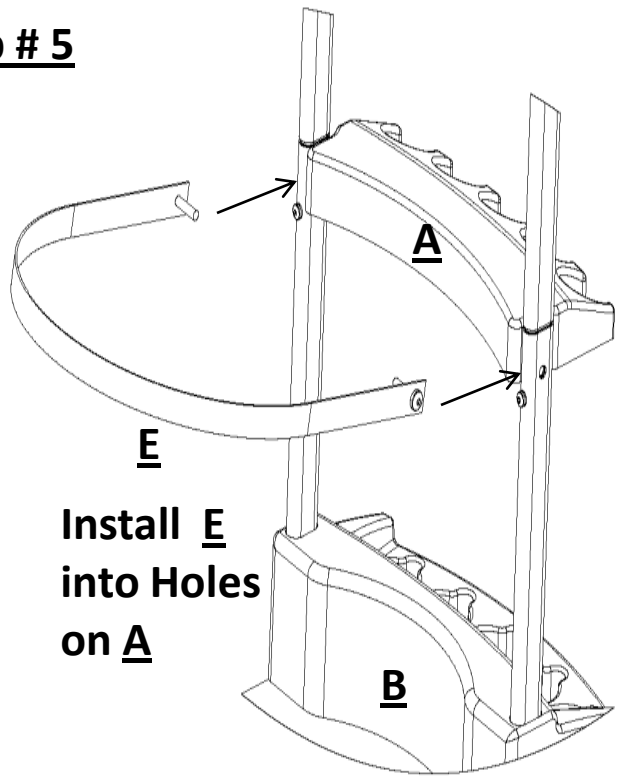
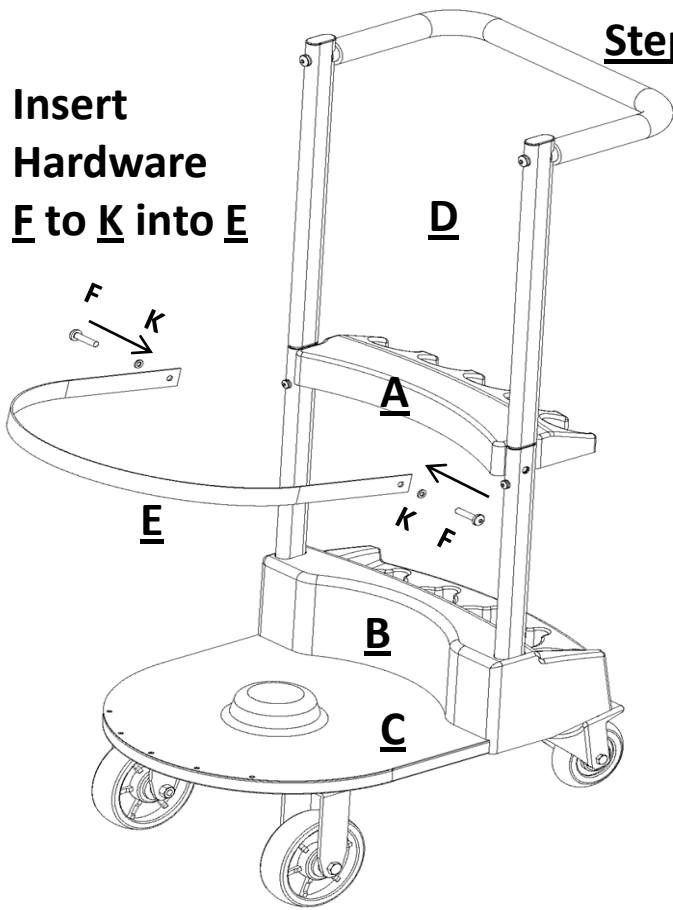
Install
Hardware
H to L into Hole



Tighten these
two Allen
screws
after
installing
hardware

Step # 5

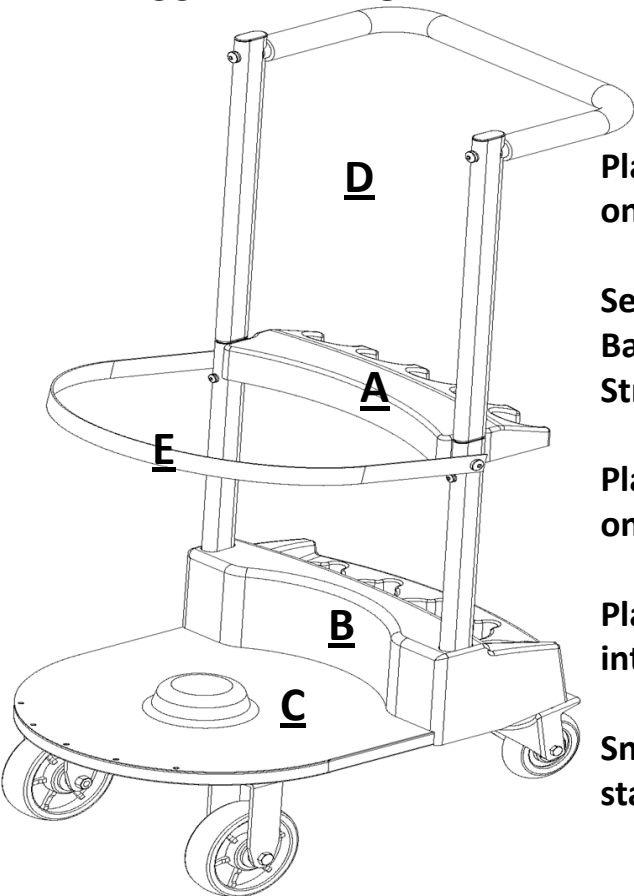
Insert
Hardware
F to K into E



Install E
into Holes
on A

ASSEMBLED CART

FULLY LOADED CART



Place Bases
on C

Secure top
Base with
Strap E

Place Heads
on Stakes

Place Stakes
into B

Snap top of
stake into A

